

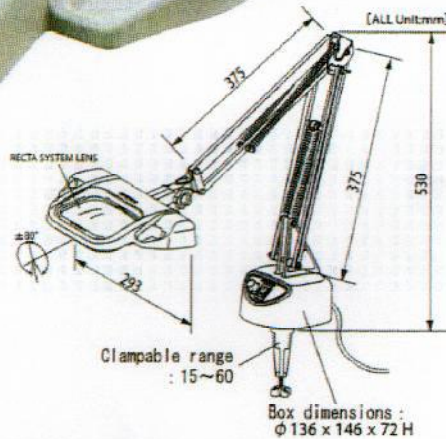
# O-LIGHT III - LED 6500

## — PRODUCT SPECIFICATION —

- Free arm and clamp type (Clampable Width: 15 ~ 60mm)
- Lens: 2X 3.5X rectangular lenses
- Material of lens : optical glass (144X108 mm)
- Light source: LED lamp
- Color temperature of LED lamp: 6500K
- Design life of LED lamp: More than 40,000 hours
- Input voltage range: 100 ~ 240V 50/60 Hz
- Power consumption: 12W
- Light with dimmer 100% ~ 0%
- Weight: (With 2X Lens) 2.8kg (With 3.5X Lens) 2.9kg

### ■ Rectangular wide lens

The rims of the wide rectangular lenses are cut off because they might cause distortion. So the user can look through them clearly. RECTA-SYSTEM is suitable for only O-light III series. We supply four types of lens magnification, which are 2X, 3.5X, 2XAR and 3.5XAR



### RECTA SYSTEM Interchangeable Lens

● Ready Stock



#### RECTA-SYSTEM/ RECTA-SYSTEM AR

#### LENS

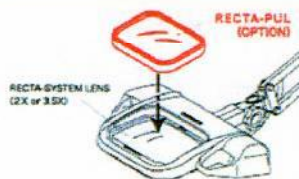
Material : Optical Glass



a rectangular interchangeable lens system requested by many customers is employed!

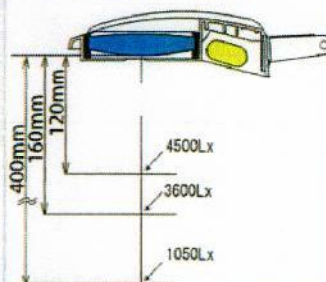
Type of lens : 2X, 2XAR, 3.5X, 3.5XAR

#### RECTA-PUL/ RECTA-PUL AR POWER UP LENS



■ RECTA-SYSTEM 2X + RECTA-PUL = 4X  
 ■ RECTA-SYSTEM 3.5X + RECTA-PUL = 5X

#### Working point illuminance



#### Selectable AC Plug

